

The JA-152NM Wireless handle lock with magnetic detector

The product is a component of the **JABLOTRON 100** system. It is a wireless PG module communicating bidirectionally, built-in to a mechanical electric lock made by the Danish company Secuyou. It serves to lock a window or door handle lock when the system is set. Thanks to the built-in magnetic contact it is possible to monitor the state of windows or doors if they are open or closed. It is equipped with an optional function of automatically releasing when a fire alarm is triggered (Gas or Fire reaction). It occupies one position in the system. It should be installed by a trained technician with a valid certificate issued by an authorized distributor.

Installation

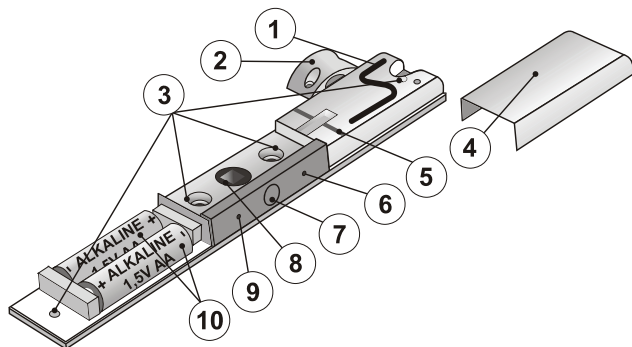


Figure 1: 1 – antenna; 2 – permanent magnet / magnetic contact; 3 – mounting holes to fix the lock to a window / door frame; 4 – transmitter cover; 5 – guideline for easy placing of the permanent magnet; 6 – LED status indicator (red / green); 7 – button for manual control; 8 – square hole for handle shaft insertion; 9 – LED system indicator (yellow / red); 10 – battery holders

The built-in magnetic contact (2) is only for the indication of window or door status (for instance linking a PG output state to a keypad segment). It is not for detecting intrusion. This product is not certified as a regular intrusion detector.



1. Uninstall the handle of the window / door.
2. Insert the handle shaft through the square hole (8) of the lock and screw to the frame using the mounting holes (3). Also supplied is an appropriate adaptor size 7/8 for a square hole (for when a handle shaft's square dimensions are smaller).
3. If the magnetic contact needs to be used, mount it (permanent magnet) on the static part according to Figure 2. The transmitter cover (4) can be used as an aid, put in line with the guideline (5) and put the permanent magnet on an axis with the upper edge of the cover.
4. Proceed according to the control panel installation manual. Basic procedure:
 - a. Go to the **F-Link** software, select the required position in the **Devices** tab and launch enrolment mode by clicking the **Enrol** option.
 - b. When both batteries have been inserted the green LED (6) flashes briefly and then the yellow LED starts to light (9). When the enrolling process is finished the yellow LED goes off.
5. Apply the battery cover and continue to setting the module properties in the F-Link software.

Notes:

- Before you start installing the module it is necessary to test if the handle shaft of the window / door matches the hole in the module. If it doesn't then consult the customer for a handle replacement (for instance for a white handle type 013-U14K with extended screws offered by Jablotron as an accessory).
- There must be a JA-11xR module installed in the control panel with a good RF signal to this module.
- The module can also be enrolled to the system by entering its production code in the F-Link software (1400-00-0000-0001). The production code can be found on the sticker under the bar code in the battery holder.
- Reactions remain available in F-Link software for the magnetic sensor to prevent setting the system when a window/door is open during the setting process. It's very important to realize that this product is not certified as a regular intrusion detector.

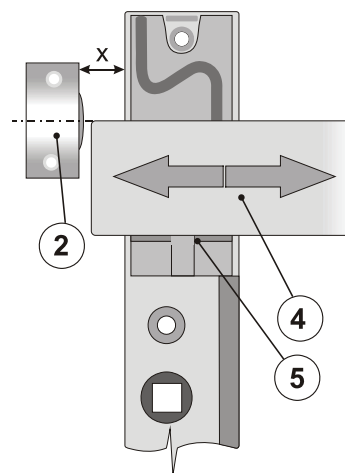


Figure 2: 2 – permanent magnet / magnetic contact; 4 – transmitter cover; 5 – guideline for easy placing of the permanent magnet

Notes:

- Maximum distance between the electronics and the permanent magnet (2) should not exceed 20 mm (x). It is always recommended to test the RF range in the particular installation.
- Ranges of magnetic fields can be different according to the pad material used.
- It is highly recommended to orientate the permanent magnet (2) towards the module PCB, see figure above. It is also possible to use the permanent magnet orientated UP/DOWN, but the range of the magnetic field could be reduced a little. We don't recommend installing the permanent magnet orientated away from module PCB.

Setting the module properties

The module properties can be set in the **Devices** tab of the F-Link software. When at the module position, use the **Internal settings** option to open a dialogue window where you can set the following options:

React to PG: Here select one of the PG outputs in the system, which is going to activate (lock) the handle lock. There is one rule valid all the time; switching the PG output ON always locks the lock and switching the PG output OFF unlocks the lock. The reaction of the PG output has to always follow the status ON/OFF. The option is useful when you need to lock the handle independently to system status – for instance to avoid a child opening the door / window.

React to section status: This enabled option allows you to lock the door / window handle lock simultaneously with setting the section to which the handle lock has been enrolled. It also accesses the option "Section status", where you can set the guarding mode during which the handle lock should be activated.

Section status: If the previous parameter is enabled, this option becomes accessible and it is linked to the section to which the handle lock has been enrolled. Select from one of these 3 options: *Partially set*, *Completely set* and *However set*.

Manually control the lock: If needed the handle lock can be controlled manually (locked / unlocked) by a button (7) on the side of the module. The handle lock can be controlled in an *unset system* - this is the default factory setting. The next option to control the lock is in a *partially set / unset* section. Operation by the control button can be Disabled completely or conversely it remains fully functional regardless of the system status – the option *Always*.

Handle lock is not unlocked by unsetting a section: If enabled, the handle lock is locked by setting the section but when the section is unset the handle lock stays locked. Now it can only be unlocked manually or by a pre-set PG output (for example using a segment on the keypad). The reason for this is to save battery life, because it is not necessary to unlock all windows or doors in the protected premises. This parameter is available only if the option "React to section status" is enabled.

Unsuccessful locking activates the input: If confirmation of physical locking of the door / window handle lock is required, enable this option. It is necessary to realize that in the case of unsuccessful locking, the input at the module's position is activated and it can take up to 10 s from the locking request – the handle lock module is not able to recognize this earlier.

When there is a specific reaction programmed for the module and unsuccessful locking is performed, the system will react according to that reaction.

The JA-152NM Wireless handle lock with magnetic detector

Unlock the lock during fire and gas leaks: When the option is enabled and the fire alarm is triggered or a gas leak detected in the section to which the handle lock module has been enrolled it unlocks the lock (to allow an exit from the building or supplying fresh air).

Lithium batteries: If the option is enabled then AA 1.5 V lithium batteries can be used in the module.

Notes:

- When multiple handle locks are used they can be set to be controlled by one PG output – switching that PG ON locks all locks or it is possible to connect modules to their own individual PG outputs and control them independently.
- The number of modules enrolled to the control panel is limited by the free positions available in control panel.
- The module communicates once every 8 s, that's why it is necessary to pre-set the Alarm length to longer than 16 s (this period ensures reliable handle lock module control for the function "Unlock the lock during fire and gas leaks").

Operational warnings

The handle lock module **is not able to recognize** that a handle **is not fully closed** earlier than during locking – this is correct functioning. The module tries to lock up to 3x in 10 sec when the command for locking comes. If locking was not performed the module triggers activation at the position to which it has been assigned in the system thanks to the parameter "Unsuccessful locking activates the input" and the system reacts according to the pre-set reaction of the module. Restoration is performed when the magnetic contact (2) of the module is activated and then deactivated (opening / closing the window or door).

When the module has an assigned reaction (not recommended), it behaves as any usual active detector in the system (for instance: window is closed, handle is not fully locked. The module is pre-set to the reaction "instant" because it informs the system that a window is not closed before the section is set. Then the command for locking the locks is sent / executed. The exit delay counts and after a few attempts at locking (approx. 10 sec) the module triggers the activation of its internal detector that the handle was not fully closed = instant alarm.



To ensure handle lock correct functioning it is necessary to ensure the handle is always fully closed (position closed). It is not possible to lock the handle of a window / door in a micro-ventilation or full ventilation position.

Optical indication

The handle lock has 2 LED indicators, the first one is a status indicator (red / green) and the second is a system indicator (yellow / red). The first (6) indicates the PG output switching ON (locking the handle) by a single red flash and unlocking the handle by a single green flash. The second LED indicator (9) shows that the module has not been enrolled yet or a fault by permanent yellow lighting / flashing, and activation / deactivation of the magnetic contact by a single red flash (this indication is valid when the system is in service mode and is also active for 15 minutes after you left service mode).

Battery replacement

The module checks its battery status automatically. When a low battery is detected, the system informs its user (or service technician). Before you start with battery replacement in the handle lock module, service mode needn't be entered because the module is not equipped with a tamper contact. **Use only new batteries of the same type and manufacturer and always replace both of them.** An alternative to alkaline batteries is lithium batteries. We recommend using this type of batteries in an environment where the temperature is near zero or under zero degrees.

Technical specifications

Power	2x alkaline AA (LR6) 1.5 V batteries
Alternative power	2x lithium AA 1.5 V batteries
	Please note: Batteries are not included
Typical battery lifetime	approx. 2 years (1x locking/unlocking per day)
Communication band	868.1 MHz, Jablotron protocol
RF range	approx. 300 m (open area)
Dimensions	229 x 34 x 18 mm
Operational environment	EN 50131-1 II. General indoor
Operational temperature range	-20 °C to +60 °C
Also complies with	ETSI EN 300 220-1, EN 50130-4, EN 55022, EN 60950-1
Can be operated according to	ERC REC 70-03



JABLOTRON ALARMS a.s. hereby declares that the JA-152NM is in a compliance with the relevant Union harmonisation legislation: Directives No: 2014/53/EU, 2014/35/EU, 2014/30/EU, 2011/65/EU. The original of the conformity assessment can be found at www.jablotron.com - Section Downloads.



Note: Although this product does not contain any harmful materials we suggest you return the product to the dealer or directly to the producer after use. For more detailed information visit www.jablotron.com.